

# Product data sheet

## Characteristics

# 9050JCK60V14

Timing Relay, Type JCK, plug In, on delay, programmable, 0.5 second to 999 hours, 10A, 240 VAC, 24 VAC/DC



Product availability: Stock - Normally stocked in distribution facility

Price\*: 152.00 USD



### Main

Range of product	9050JCK
Product or component type	Timer
Time delay type	On-delay
Time delay range	1...999 h 0.05...9.99 s 1...999 min 0.1...99.9 s 0.1...99.9 h 1...999 s
[Uc] control circuit voltage	24 V AC

### Complementary

Hold-in power consumption in VA	3 VA
Line Rated Current	10 A
Switch function	DPDT
Contacts type and composition	2 NO + 2 NC
Contacts material	Silver nickel
Maximum switching voltage	240 V AC
Mounting support	Socket
Pin number	8
Shape of pin	Tubular
Product compatibility	8501NR52 8501NR51

## Environment

Product certifications	UL Listed UL Recognized CE
Ambient air temperature for operation	-18...150 °F (-28...66 °C)
Height	2.36 In (60 mm)
Width	1.73 In (44 mm)
Depth	3.58 In (91 mm)

## Ordering and shipping details

Category	21652 - 9050 JCK60, 70 PROGRAMMABLE TIMERS
Discount Schedule	CP2
GTIN	00785901053873
Nbr. of units in pkg.	1
Package weight(Lbs)	4.32 Oz (122.47 g)
Returnability	Yes
Country of origin	US

## Packing Units

Unit Type of Package 1	PCE
Package 1 Height	2.60 In (6.604 cm)
Package 1 width	1.90 In (4.826 cm)
Package 1 Length	4.30 In (10.922 cm)
Unit Type of Package 2	CAR
Number of Units in Package 2	10
Package 2 Weight	3.00 Lb(US) (1.361 kg)
Package 2 Height	4.50 In (11.43 cm)
Package 2 width	10.00 In (25.4 cm)
Package 2 Length	11.00 In (27.94 cm)

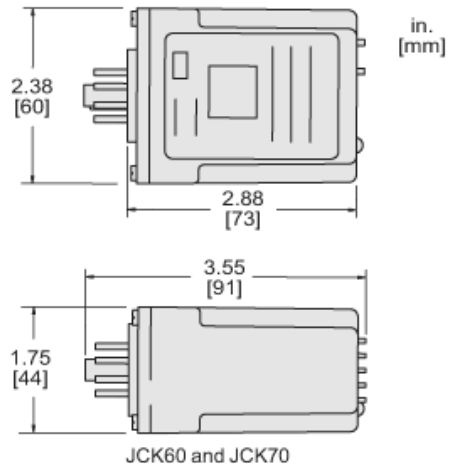
## Offer Sustainability

Sustainable offer status	Green Premium product
REACH Regulation	<a href="#">REACH Declaration</a>
REACH free of SVHC	Yes
EU RoHS Directive	Pro-active compliance (Product out of EU RoHS legal scope) <a href="#">EU RoHS Declaration</a>
Toxic heavy metal free	Yes
Mercury free	Yes
RoHS exemption information	<a href="#">Yes</a>
China RoHS Regulation	<a href="#">China RoHS Declaration</a>
Environmental Disclosure	<a href="#">Product Environmental Profile</a>
Circularity Profile	<a href="#">End Of Life Information</a>

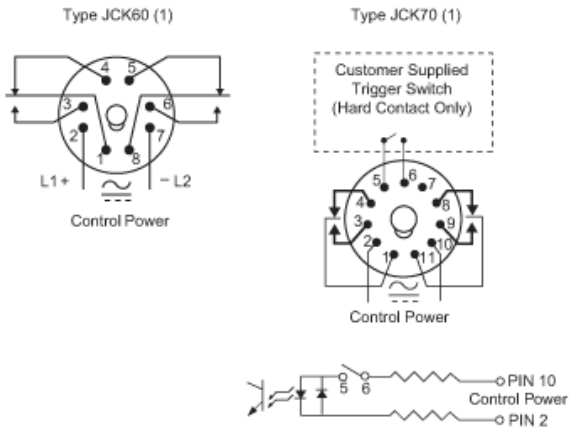
## Contractual warranty

Warranty	18 months
----------	-----------

Approximate Dimensions



Connections and Wiring Diagrams



(1) Do not apply DC voltage to the 240 Vac timers (voltage code V24).

Product Life Status : **Commercialised**